

ELECTRICAL FEATURES

- Operating voltage: 6 to 16 VDC (30VDC max 10sec.)
- Digital controlled system
- High efficiency LED's
- Reverse polarity protected.
- To switch on: pin voltage < 0,5V.
- pin voltage < 2V.

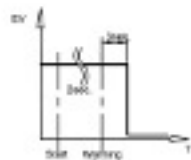
- EMC compliance: DC2000/2/CE (Radiated) ISO 7637-1, -3 (Conducted)
- ESD compliance: ISO / TR 60105
- Autotest of: at start up (3sec.)
- All outputs protected against short-circuit, over-heat and over-current.

MECHANICAL FEATURES

- Housing: Black CP plastic. Fire proof and self-extinguishing.
- Sealed dial: Transparent PC. Black symbols and grey background inner stamped
- Bezel: Polished black POM plastic.
- Resin packaged
- Hour-meter
- Ignition key
- 15Amp. fuse

ENGINE PROTECTION

- It controls fuel electric valve.
- The system is activated 2 seconds after starting.
- is lighted on.
- If one of is lighted on during more than 3 sec the engine is stopped, remaining on only this warning light.
- Ignition key must be switched off to unlock the system.

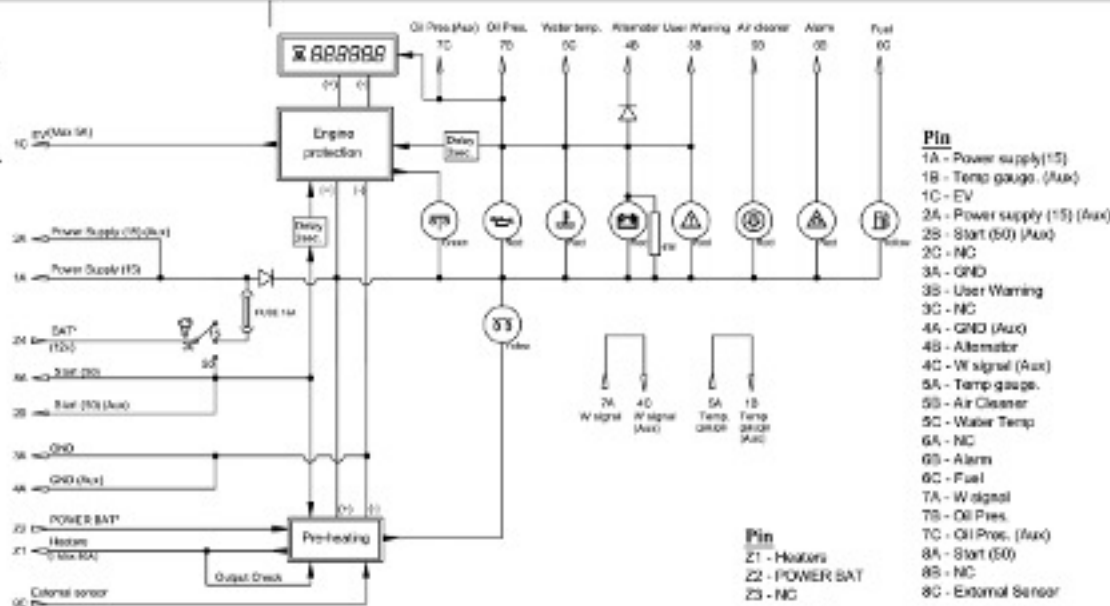


ENVIRONMENTAL FEATURES

- Working temperature: -20 to +80 °C
- Storage temperature: -30 to +90 °C
- Sealing: Connectors: IP67
- Dial: IP67

GENERAL FEATURES

- High modularity boxes (see adapter PN 1921)
- Panel board mountable (see clamps PN 1911, 1912, 1913 and 1915)
- Sealed key/fuse connector (see PN 1810)



- Pin**
- 1A - Power supply (15)
 - 1B - Temp gauge. (Aux)
 - 1C - EV
 - 2A - Power supply (15) (Aux)
 - 2B - Start (50) (Aux)
 - 2C - NC
 - 3A - GND
 - 3B - User Warning
 - 3C - NC
 - 4A - GND (Aux)
 - 4B - Alternator
 - 4C - W signal (Aux)
 - 5A - Temp gauge.
 - 5C - Air Cleaner
 - 6A - NC
 - 6B - Alarm
 - 6C - Fuel
 - 7A - W signal
 - 7B - Oil Pres.
 - 7C - Oil Pres. (Aux)
 - 8A - Start (50)
 - 8B - NC
 - 8C - External Sensor

- Pin**
- 21 - Heaters
 - 22 - POWER BAT
 - 23 - NC
 - 24 - BAT (30)



Header connector
SAPRISA
1820 series 4 pins sealed



Header connector
FRAMATOME
SICMA series 24 pins sealed
PN: 10C7HPD24BKA00P

* It's recommended to use dedicated cables from Delly for this high current connections. Mind the proper section and length.

See features and limit (near 1A.)



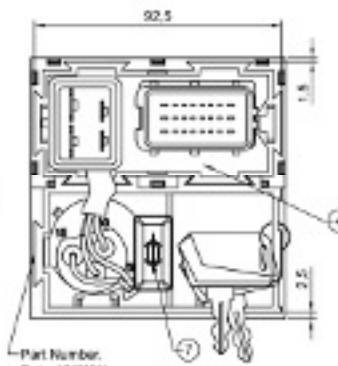
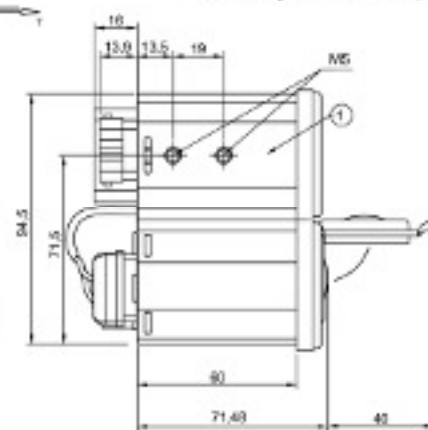
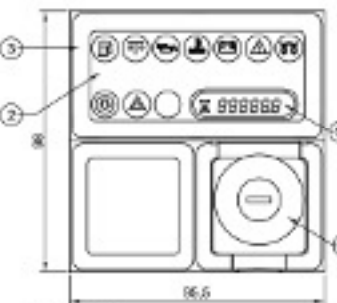
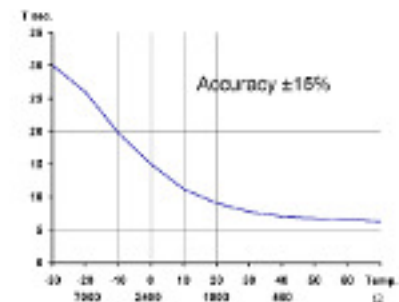
HOUR - METER

- 8mm digits LCD display real hours counter.
- It counts if is switched off.
- Range: 0 - 99999,9 hours.
- Resolution: 0,1 hours.
- Accuracy: ±0,1% (25°C)
- >40 years stored data retention.

FUEL PRE-HEATING

- Steps at start up:
 - Pre-heating. lights on. It ends by:
 - Time over (see plot)
 - Switching start on
 - Waiting time: 5 seconds after pre-heating.
 - Starting cycle: While starting
 - Post-heating: 5 seconds.

- flashes if there is pre-heating failure.
- Heaters output is protected against short-circuit, over-heat and over-current.
- Pre-heating is not allowed if external sensor pin is grounded.



Scale: 1:2

1	30-10-11	De controler de temperatura a motor		
2	18-06-11	De controler motor combustor		
Rev.	Rev.	Intervention description		Origin: 03/03/00
Clt.Box-10WL-PH-EP-HM		D109		
Date: 17/07/07	drawing: Ignard	Scale:		
COPIA NO CONTROLADA				
			AETSA www.aetisa.com saprisa@aetisa.com +34 933 072 400	