

FEATURES

VREG= 14,2 ±0,2V (I < 2Amp.)

I max. 30A.

Max. AV switching key w.r.t. battery ±0,1 V

W.L. = Led or bulb max. 4W

Voltage transients protection

Short circuit protection (Max 0,4A)

Shutdown < 650 rpm

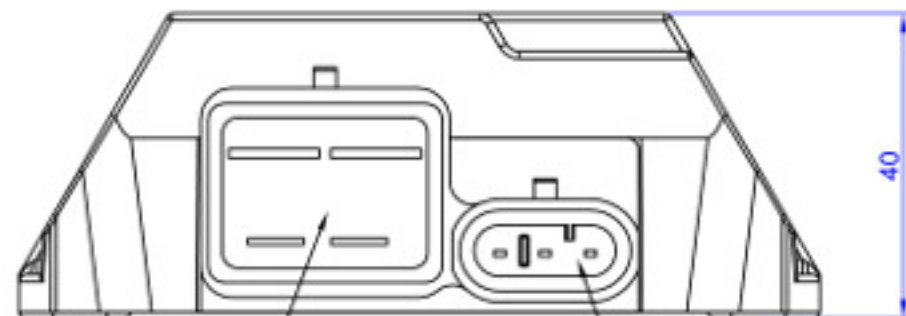
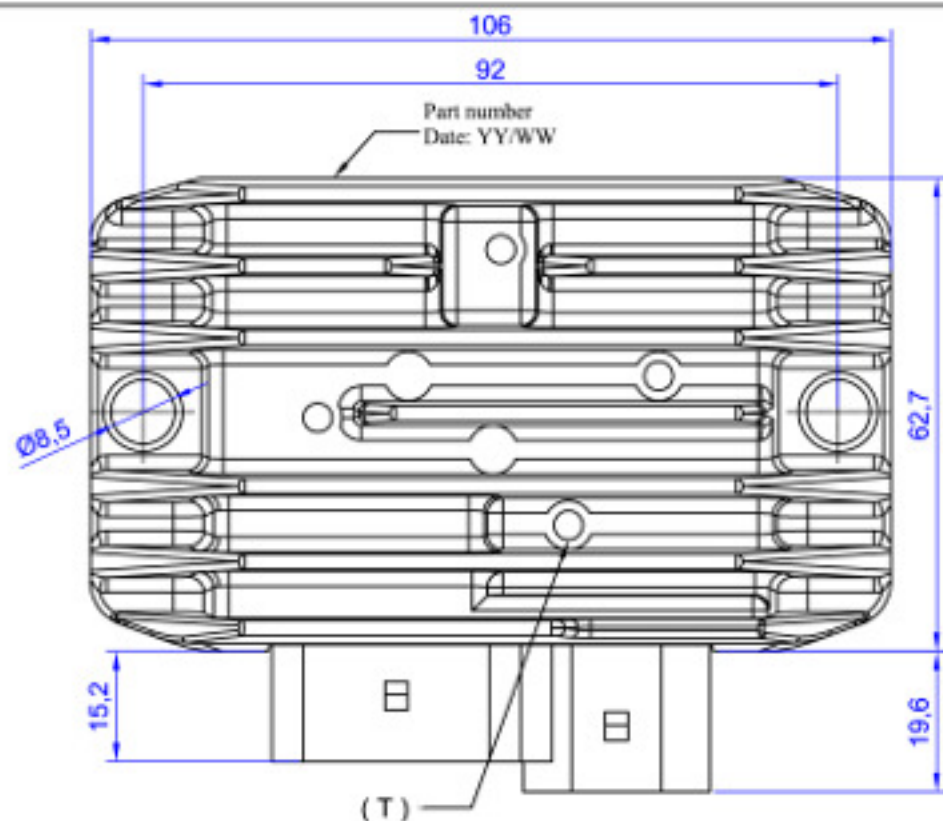
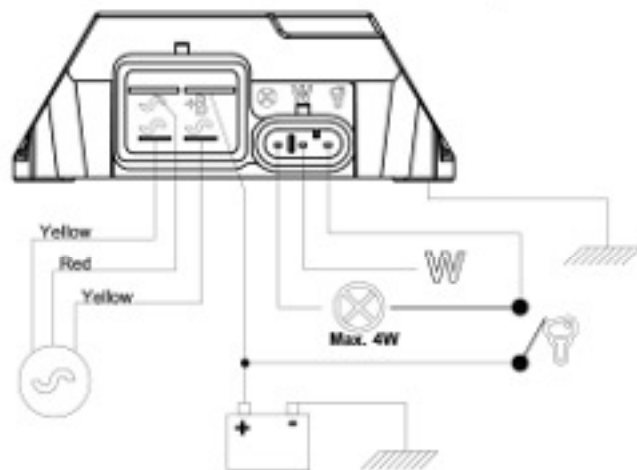
W= Frequency signal f=(N°poles x RPM)/120

Regulator case ground contact must be guaranteed (>30A)

Max temperatures in (T)

With load 95°C

Non operation 110°C



Female connector

SAPRISA

1820 series compatible (black)

Tab: 2 - 6,35x0,8

2 - 9,5x1,2

Female connector

AMP compatible

Superseal 1.5 series

3 ways

Tab: 282109-1

3	07-11-11	Temperatura con carga pasa de 85 a 95
2	24-01-11	Temperatura con carga pasa de 75 a 85
Núm.	Revisión	Alteration designation

OPS REGULATOR 12V 7136

Revisión: 10/11/05 Drawing: Ignasi Scale:

COPIA NO CONTROLADA



AETSA
www.aetsa.com
saprisa@aetsa.com
+34 933 072 400